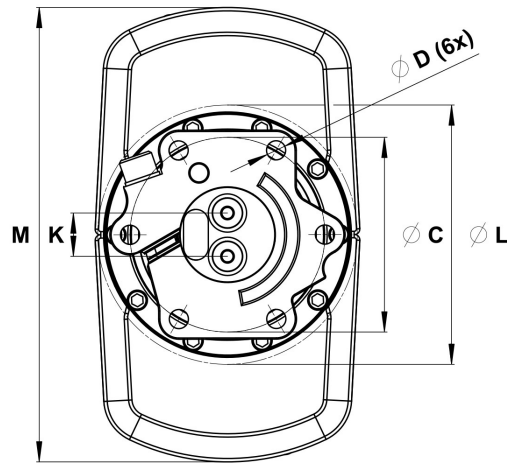
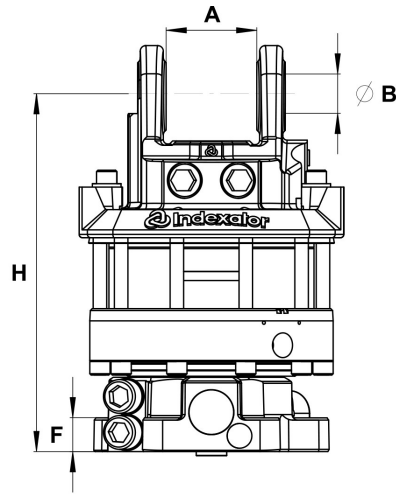
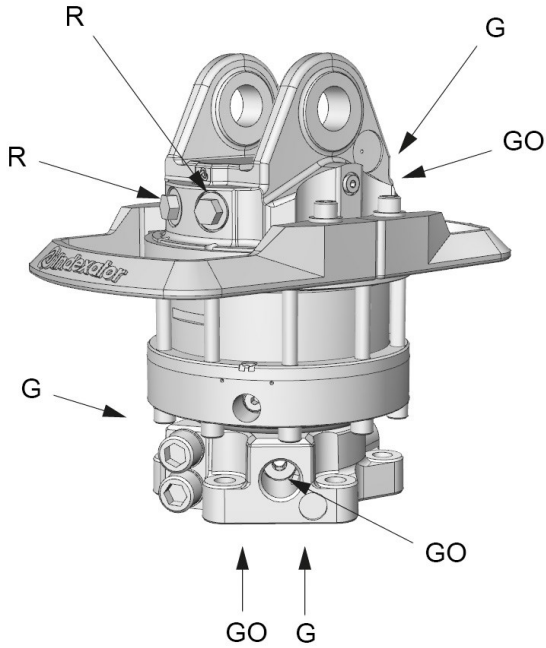


GV 12-2 LS

Part No.: 5212046

- Load Sense¹



| Upper connection | Lower connection |
|------------------|------------------|
| G 1/2 | G 1/2 |

| | | | | | | | | |
|---------------|--------------|---------------|--------------|-------------|--------------|---------------|---------------|--------------|
| A: 80,5 mm | B: Ø35 mm | C: Ø173 mm | D: Ø17 mm | F: 30 mm | H: 317 mm | K: 38,5 mm | L: Ø229 mm | M: 404 mm |
|---------------|--------------|---------------|--------------|-------------|--------------|---------------|---------------|--------------|

| | | | | | | | | |
|---------|------|---------------|--------------|---------|-----------------|---------------|---------------|---------------|
| | | | | | | | | |
| 56.9 kg | 360° | Max 100 kN | Max 50 kN | 2200 Nm | Max 25 l/min | Max 25 MPa | Max 25 MPa | Max 25 MPa |

¹ A rotator with the shortening LS is not equipped with restrictors (unlike our standard rotators). This means that the oil flow from the base machine has to be adapted.

Adapter sets are available for alternative connections.

For further technical information relating to integration and hydraulic connections, please contact rotator@indexator.com