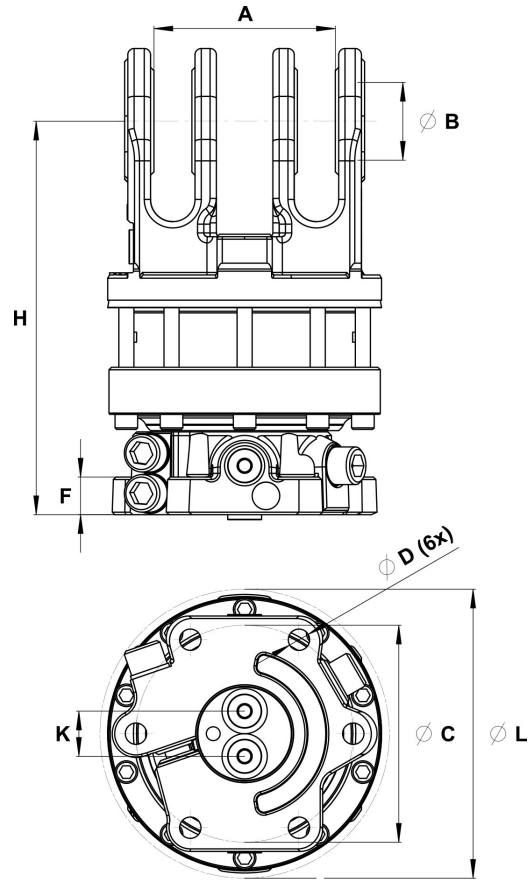
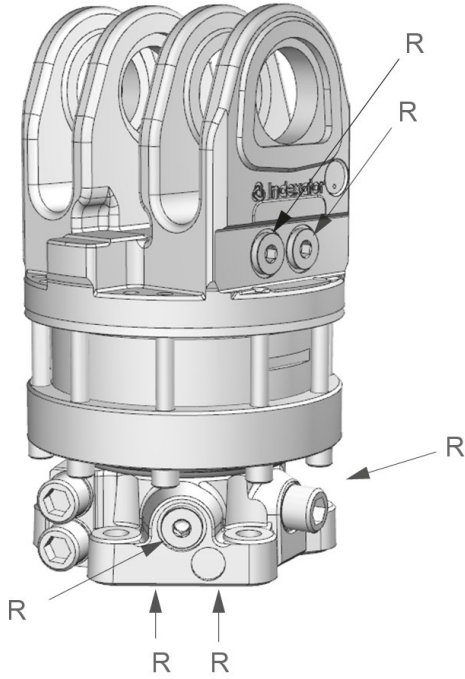


H 101 LS

Part No.: 7206095

- Load Sense¹



Upper connection	Lower connection
G 1/2	G 1/2

A: MPB1	B: MPB	C: Ø173 mm	D: Ø17 mm	F: 30 mm	H: 314 mm	K: 36 mm	L: Ø229 mm
------------	-----------	---------------	--------------	-------------	--------------	-------------	---------------

 49.8 kg	 360°	 Max 60 kN	 Max 25 kN	 1900 Nm	 Max 25 l/min	 Max 25 MPa
--	---	---	---	---	--	--

¹ A rotator with the shortening LS is not equipped with restrictors (unlike our standard rotators). This means that the oil flow from the base machine has to be adapted.

Rotator suitable for MPB swing dampers.

Adapter sets are available for alternative connections.

For further technical information relating to integration and hydraulic connections, please contact rotator@indexator.com