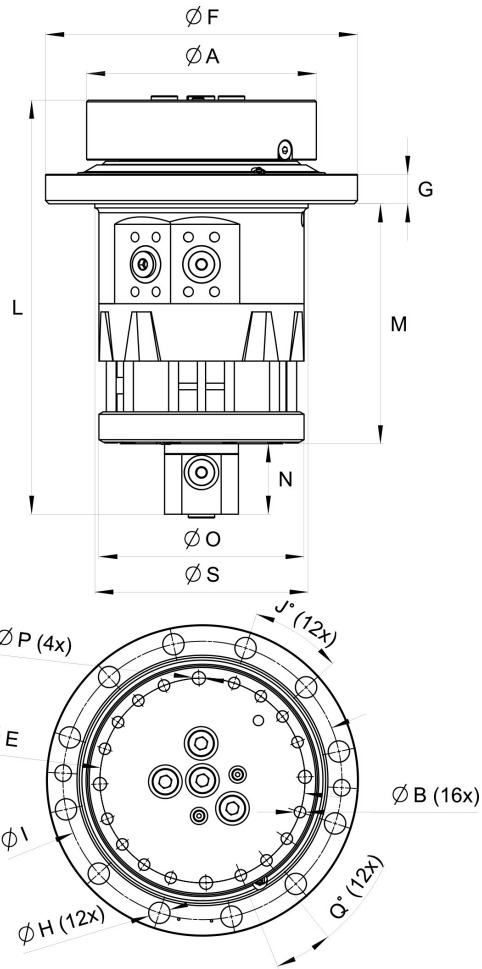
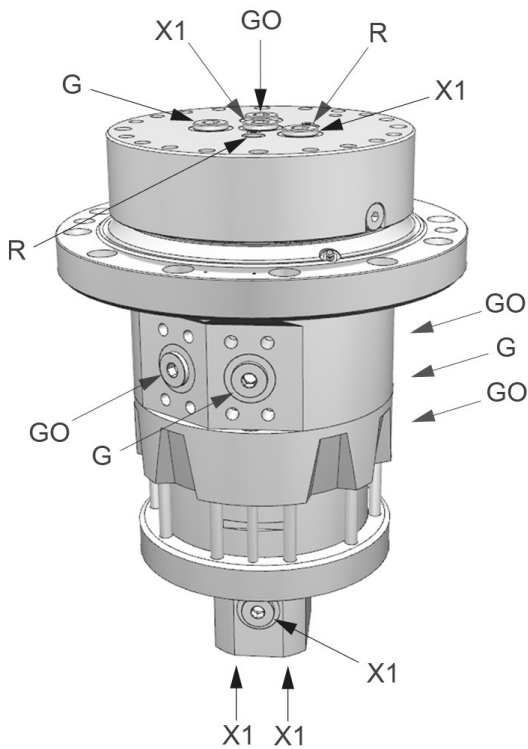


IR 22 XA

Part No.: 8000756



Upper			Lower						
X1: 1 1/16"-12 UNF	G GO: 1 1/16"-12 UNF	R: 7/16"-20 UNF	X1: 1 1/16"-12 UNF	G: 1 1/16"-12 UNF / SAE 6000 DN 32	G: 1 1/16"-12 UNF / SAE 6000 DN 32	GO: 1 1/16"-12 UNF / SAE 6000 DN 32	GO: 1 1/16"-12 UNF / SAE 6000 DN 32	GO: 1 1/16"-12 UNF	

A: Ø280 mm	B: M16	E: Ø250 mm	F: Ø380 mm	G: 36 mm	H: Ø26 mm	I: Ø340 mm	J: 30°	L: 506 mm	M: 293 mm	N: 86 mm	O: Ø250 mm	P: Ø16 mm	Q: 16,7°
S: Ø260 mm													

158 kg	360°	±450 kN	±150 kN	4100 Nm	35 l/min	25 MPa	35 MPa	35 MPa	35 MPa	35 MPa

XA = Rotator with two connections and one extra channel for high-flow.

Pressure limiting valves fitted in the motor.

For further technical information relating to integration and hydraulic connections, please contact rotator@indexator.com